



LED Display Product Data Sheet LTC-5635G

Spec No.: DS-30-96-093

Effective Date: 05/04/2000

Revision: -

LITE-ON DCC

RELEASE

BNS-OD-FC001/A4

FEATURES

- * 0.56 inch (14.2 mm) DIGIT HEIGHT.
- * CONTINUOUS UNIFORM SEGMENTS.
- * LOW POWER REQUIREMENT.
- * EXCELLENT CHARACTERS APPEARANCE.
- * HIGH BRIGHTNESS & HIGH CONTRAST.
- * WIDE VIEWING ANGLE.
- * SOLID STATE RELIABILITY.

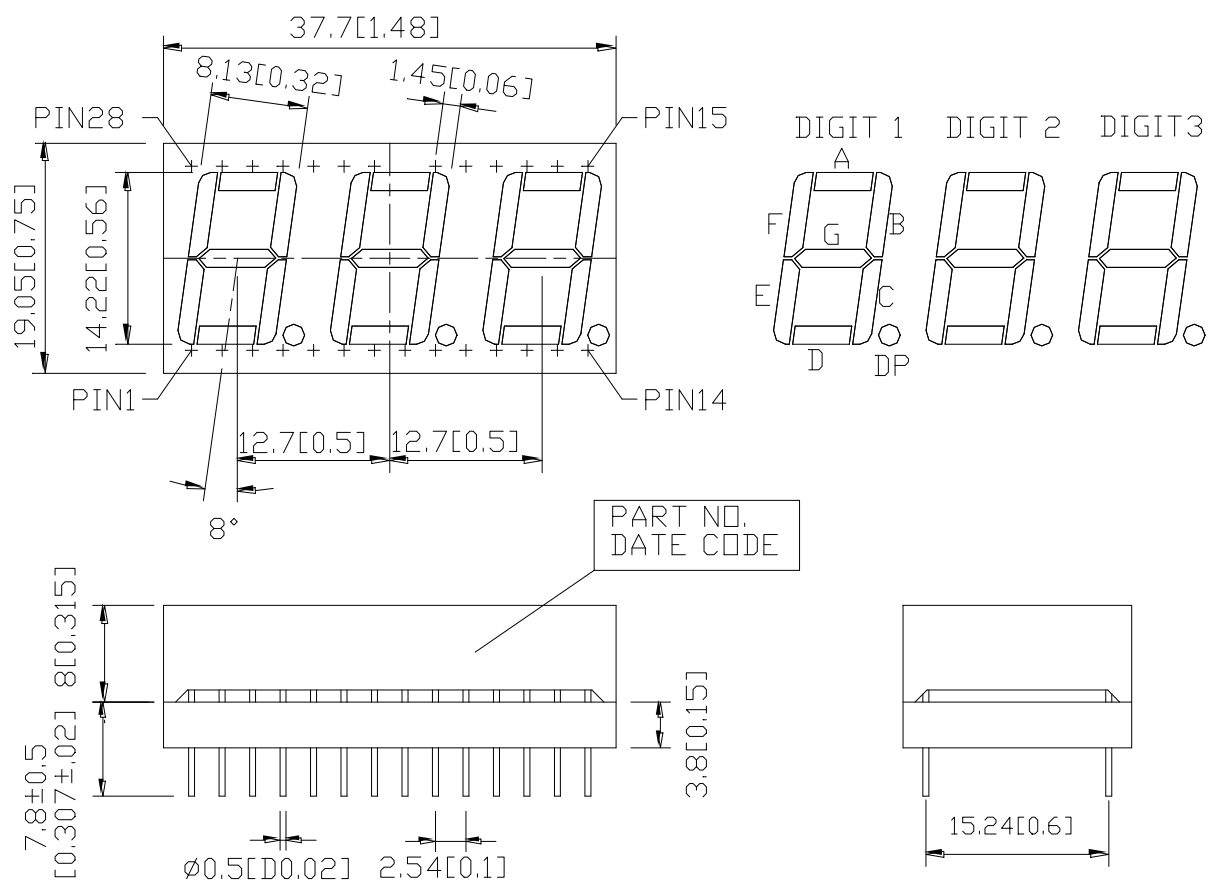
DESCRIPTION

The LTC-5635G is a 0.56 inch (14.2 mm) digit height triple digit seven-segment display. This device utilizes green LED chips, which are made from GaP on a transparent GaP substrate, and has a gray face and white segments.

DEVICE

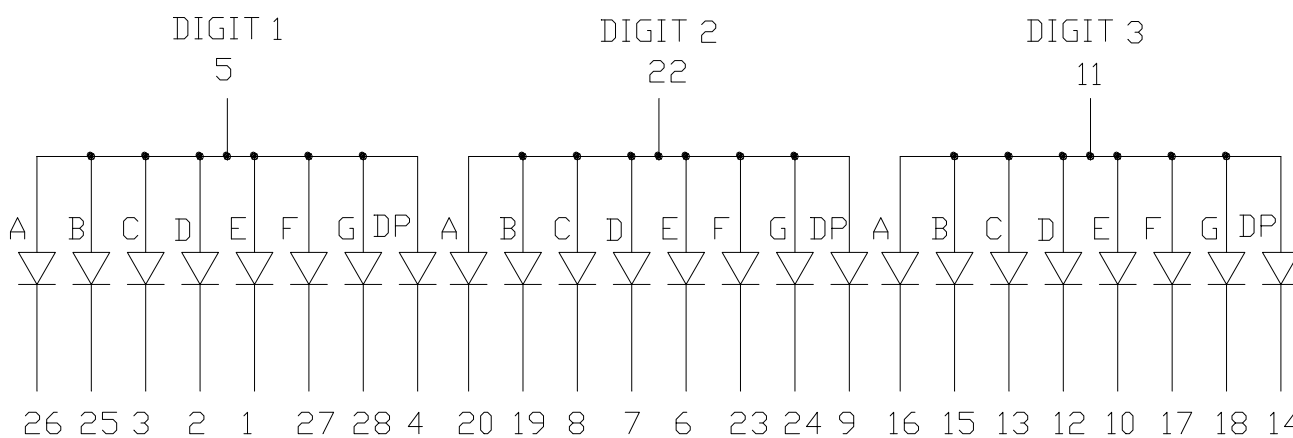
| PART NO. | DESCRIPTION |
|-----------------|--------------------|
| Green | Common Anode |
| LTC-5635G | Rt. Hand Decimal |

PACKAGE DIMENSIONS



NOTES: All dimensions are in millimeters. Tolerances are ± 0.25 mm (0.01") unless otherwise noted.

INTERNAL CIRCUIT DIAGRAM



PIN CONNECTION

| NO. | CONNECTION | NO. | CONNECTION |
|-----|------------------------|-----|------------------------|
| 1 | CATHODE E (DIGIT 1) | 15 | CATHODE B (DIGIT 3) |
| 2 | CATHODE D (DIGIT 1) | 16 | CATHODE A (DIGIT 3) |
| 3 | CATHODE C (DIGIT 1) | 17 | CATHODE F (DIGIT 3) |
| 4 | CATHODE DP (DIGIT 1) | 18 | CATHODE G (DIGIT 3) |
| 5 | COMMON ANODE (DIGIT 1) | 19 | CATHODE B (DIGIT 2) |
| 6 | CATHODE E (DIGIT 2) | 20 | CATHODE A (DIGIT 2) |
| 7 | CATHODE D (DIGIT 2) | 21 | NO PIN |
| 8 | CATHODE C (DIGIT 2) | 22 | COMMON ANODE (DIGIT 2) |
| 9 | CATHODE DP (DIGIT 2) | 23 | CATHODE F (DIGIT 2) |
| 10 | CATHODE E (DIGIT 3) | 24 | CATHODE G (DIGIT 2) |
| 11 | COMMON ANODE (DIGIT 3) | 25 | CATHODE B (DIGIT 1) |
| 12 | CATHODE D (DIGIT 3) | 26 | CATHODE A (DIGIT 1) |
| 13 | CATHODE C (DIGIT 3) | 27 | CATHODE F (DIGIT 1) |
| 14 | CATHODE DP (DIGIT 3) | 28 | CATHODE G (DIGIT 1) |

ABSOLUTE MAXIMUM RATING AT Ta=25°C

| PARAMETER | MAXIMUM RATING | UNIT |
|--|----------------|-------|
| Power Dissipation Per Segment | 75 | mW |
| Peak Forward Current Per Segment (1/10 Duty Cycle, 0.1ms Pulse Width) | 100 | mA |
| Continuous Forward Current Per Segment | 25 | mA |
| Derating Linear From 25°C Per Segment | 0.33 | mA/°C |
| Reverse Voltage Per Segment | 5 | V |
| Operating Temperature Range | -35°C to +85°C | |
| Storage Temperature Range | -35°C to +85°C | |
| Solder Temperature: max 260°C for max 3sec at 1.6mm below seating plane. | | |

ELECTRICAL / OPTICAL CHARACTERISTICS AT Ta=25°C

| PARAMETER | SYMBOL | MIN. | TYP. | MAX. | UNIT | TEST CONDITION |
|-----------------------------------|-------------------|------|------|------|------|----------------------|
| Average Luminous Intensity | I _v | 870 | 2400 | | μcd | I _F =10mA |
| Peak Emission Wavelength | λ _p | | 565 | | nm | I _F =20mA |
| Spectral Line Half-Width | Δλ | | 30 | | nm | I _F =20mA |
| Dominant Wavelength | λ _d | | 569 | | nm | I _F =20mA |
| Forward Voltage Per Segment | V _F | | 2.1 | 2.6 | V | I _F =20mA |
| Reverse Current Per Segment | I _R | | | 100 | μA | V _R =5V |
| Luminous Intensity Matching Ratio | I _v -m | | | 2:1 | | I _F =10mA |

Note: Luminous intensity is measured with a light sensor and filter combination that approximates the CIE (Commision Internationale De L'Eclairage) eye-response curve.

TYPICAL ELECTRICAL / OPTICAL CHARACTERISTIC CURVES

(25°C Ambient Temperature Unless Otherwise Noted)

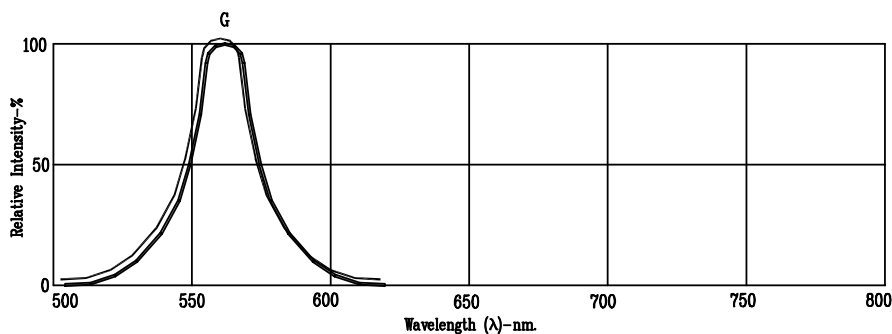


Fig1. RELATIVE INTENSITY VS. WAVELENGTH

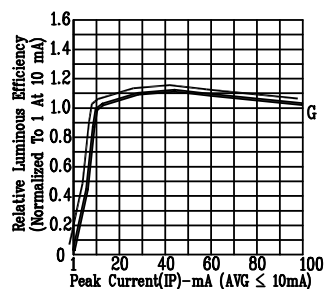


Fig2. RELATIVE LUMINOUS EFFICIENCY (LUMINOUS INTENSITY PER UNIT CURRENT) VS. PEAK CURRENT (REFRESH RATE 1KHz)

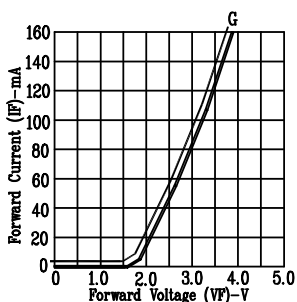


Fig3. FORWARD CURRENT VS. FORWARD VOLTAGE

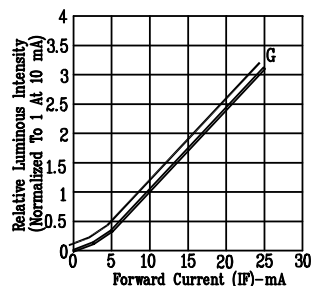


Fig4. RELATIVE LUMINOUS INTENSITY VS. FORWARD CURRENT

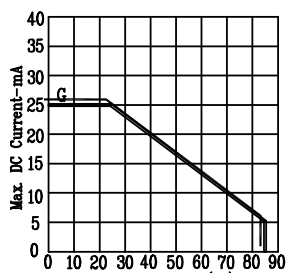


Fig5. MAX ALLOWABLE DC CURRENT VS. AMBIENT TEMPERATURE.

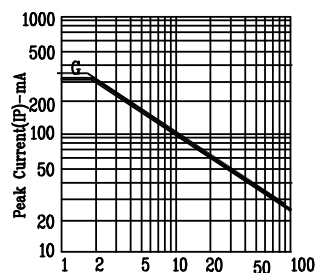


Fig6. MAX PEAK CURRENT VS. DUTY CYCLE % (REFRESH RATE 1KHz)

NOTE: G=GREEN