

A

A

B

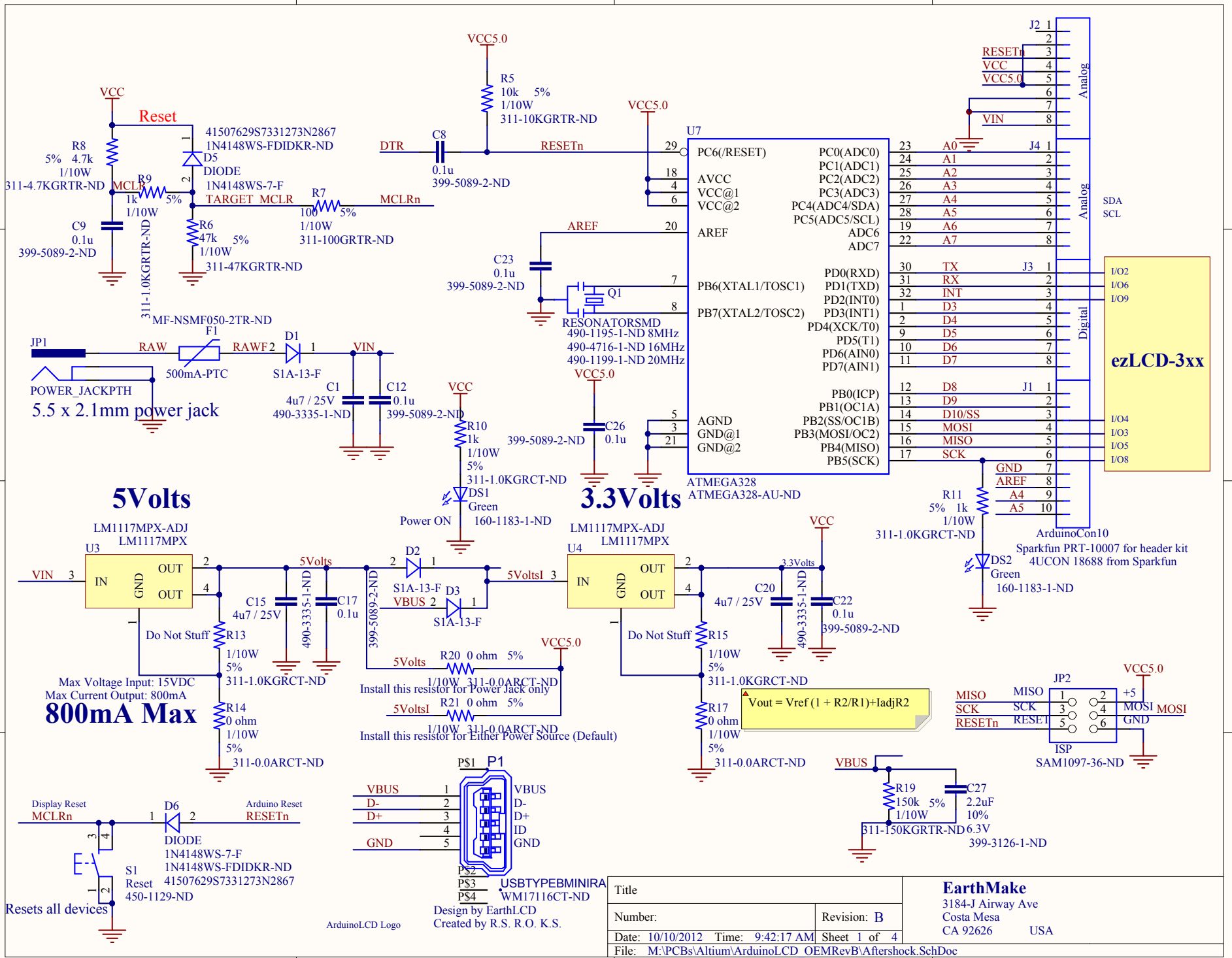
B

C

C

D

D



Title	
Number:	Revision: B
Date: 10/10/2012 Time: 9:42:17 AM	Sheet 1 of 4
File: M:\PCBs\Altium\ArduinoLCD OEMRevB\Aftershock.SchDoc	

EarthMake
 3184-J Airway Ave
 Costa Mesa
 CA 92626 USA