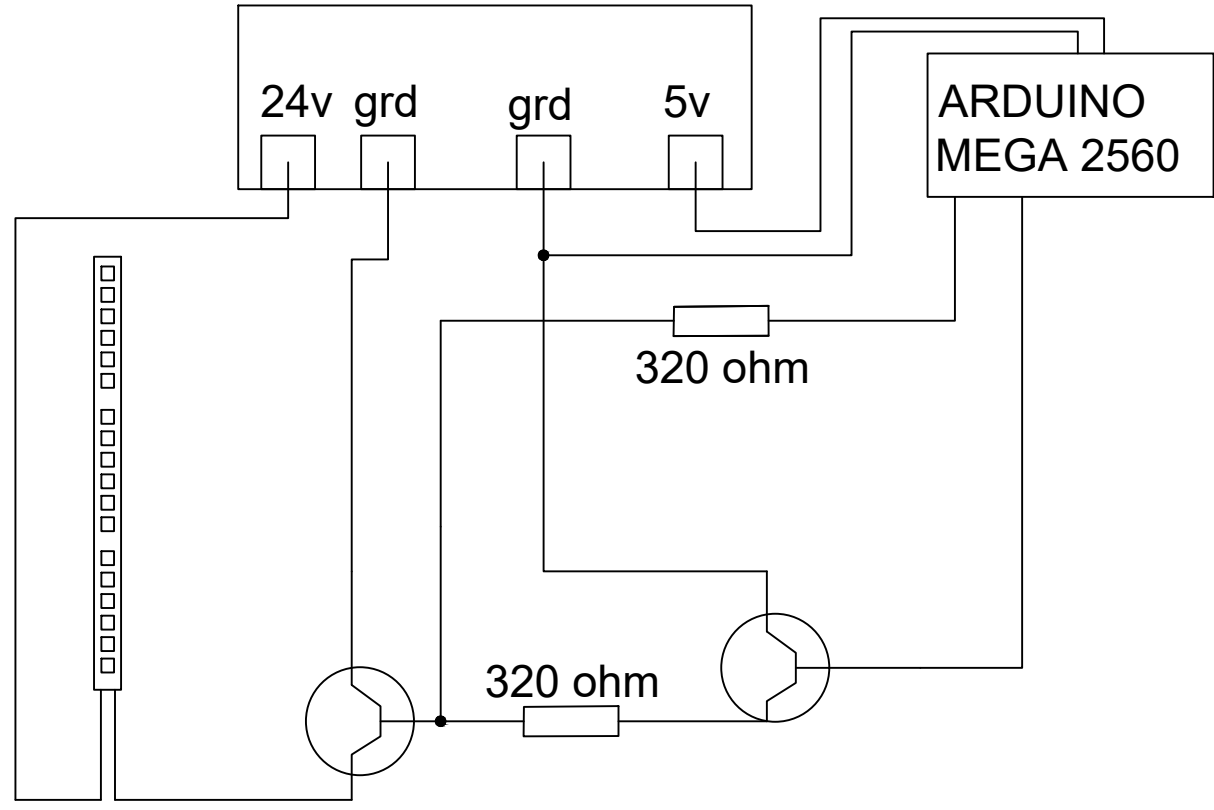


Recom International RE-2405S 1W
DC/DC Converter 24V In 5V Ou



transistor
S9018
H 331