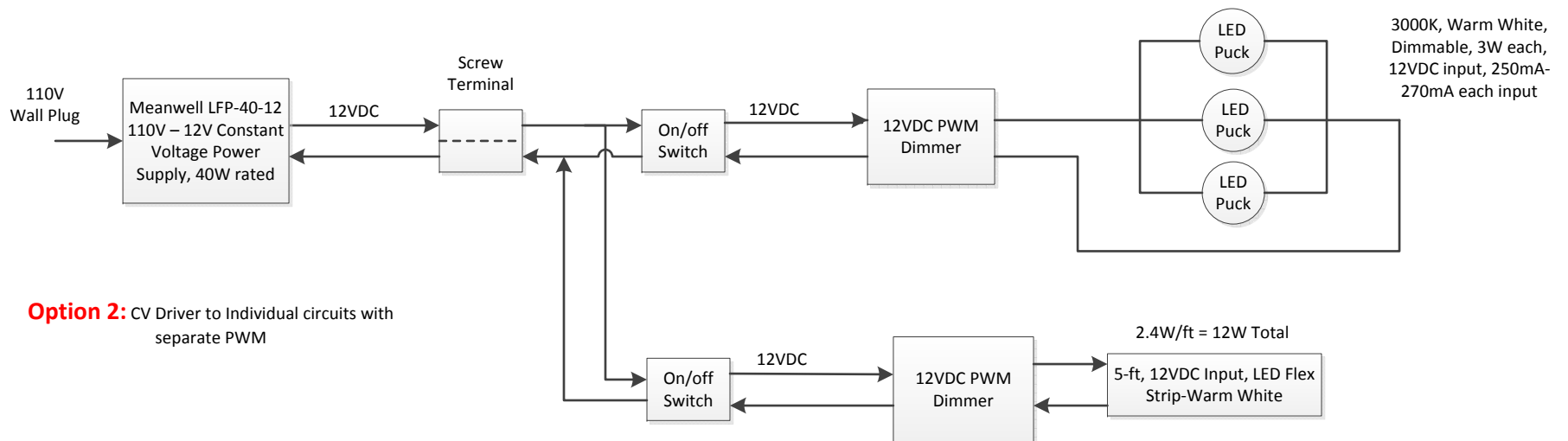


Option 1: CV Driver to Individual circuits. CC Driver with onboard Dimmer and separate PWM string circuit



Option 2: CV Driver to Individual circuits with separate PWM