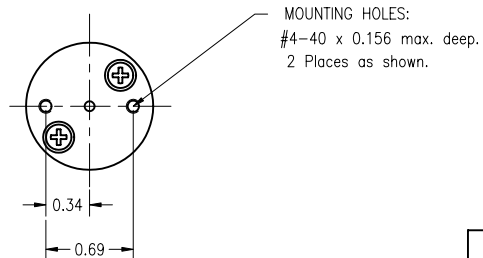
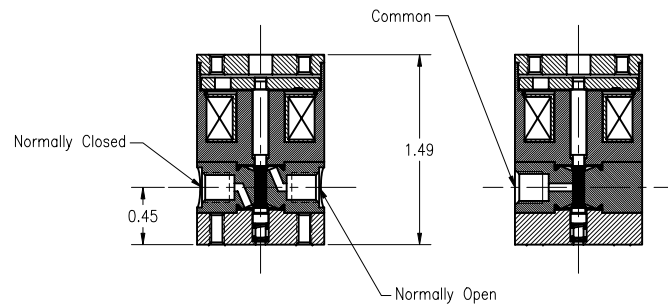
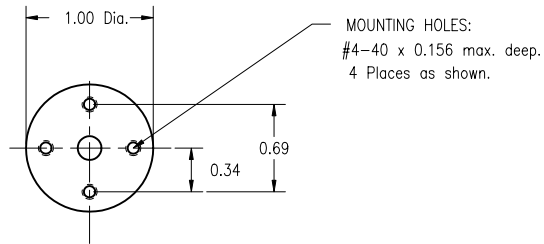


This drawing is NOT to be used for making reproductions thereof, or for making or using any apparatus, equipment, subject matter, or technical information without written authorization of Neptune Research and Development, Inc. All prints are to be returned to Neptune immediately upon completion of work.



## SPECIFICATIONS:

### Mechanical: (Each Port)

TYPE: 3w Diverter  
 PORT CONNECTION: 1/4-28 Flat Bottom  
 NOMINAL ORIFICE: 0.062 In. (1.5 mm)  
 OPERATING PRESSURE: Vacuum to 30 PSI (2 Bars)  
 TEST PRESSURE: 30 PSI N<sub>2</sub> (No leakage)  
 INTERNAL VOLUME: 111 microliters form bottom of ports.  
 WETTED MATERIALS: TEFLON®  
 MOUNTING ORIENTATION: Any Position

### Electrical: (At 70° C No Pressure)

OPERATING VOLTAGE: 12 VDC (continuous)  
 24 to 48 volts subject to duty cycle and/or holding voltage applied.  
 POWER CONSUMPTION: 1.5 watts/24VDC (approx.)  
 LEAD WIRES: #26 AWG, TFE Insulated  
 Yellow 18 in. (457 mm) long.  
 TEST VOLTAGE (ON): < 9 VDC  
 TEST VOLTAGE (OFF): 0.5 to 4 VDC  
 RESPONSE TIME (ON): 20ms Max. (12 VDC)  
 5 to 20 ms subject to applied voltage and driving circuits.  
 RESPONSE TIME (OFF): 30ms Max. (from 24 VDC)  
 30 to 5 ms adjustable by driving circuits.

#### NOTE 1.)

Continuous rating applies to solenoid construction only. Since other materials incorporated in the product may not tolerate temperature variations as well as the solenoid application of holding voltage is strongly recommended.

#### NOTICE:

This product is protected by one or more of the following United States Patents: 4,496,133; 4,993,456; 5,143,118; Re. 34,261 5,433,244. Other Patents Pending.

UNLESS OTHERWISE SPECIFIED		Scale	Material	
Fractions	± 1/64	1 : 1 (B)	As noted	
2 Pl. Dec.	± 0.005	Dr. By	Date	
3 Pl. Dec.	± 0.002	A. Sule	07-09-1997	
Angular	± 0.06°	Checked	Approved	
All Fin. Surf.	Parallel, Flat, Square and True to Each Other within 0.001 T.I.R.	Part Name		
		225T031 3w 12 Vdc	Drawing Number	
			225V267	