

1

2

3

4

5

A

A

B

B

C

C

Sheet: Power



File: Power.sch

Sheet: Processor



File: Processor.sch



H1



M1

PCB_GREEN_RMC



H2

Schematics and library symbols derived from Duet project
<https://github.com/T3P3/Duet>
 licensed under the CERN OHW Licence v1.2

License: GPL v2		
File: microdue.sch		
Sheet: /		
Title: MicroDue		
Size: A4	Date: 30 oct 2014	Rev: 1
KiCad E.D.A. eeschema (2013-07-07 BZR 4022)-stable		Id: 1/3

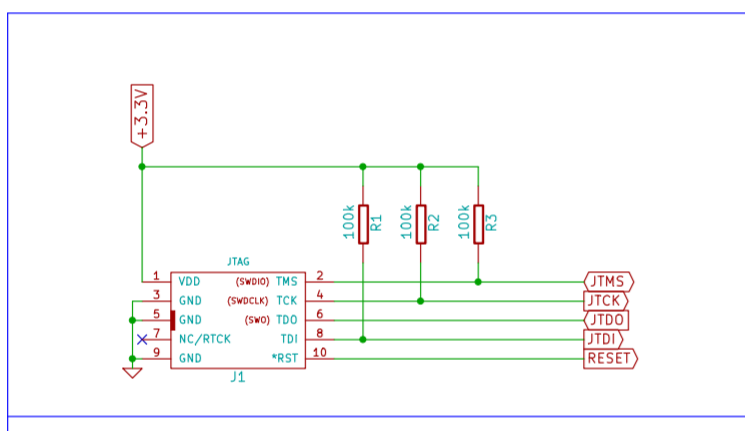
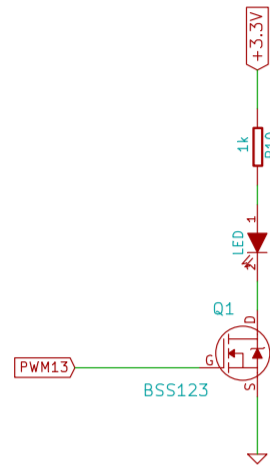
1

2

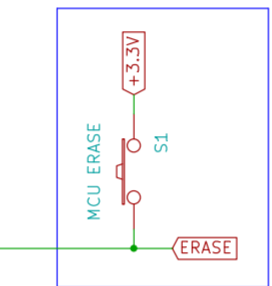
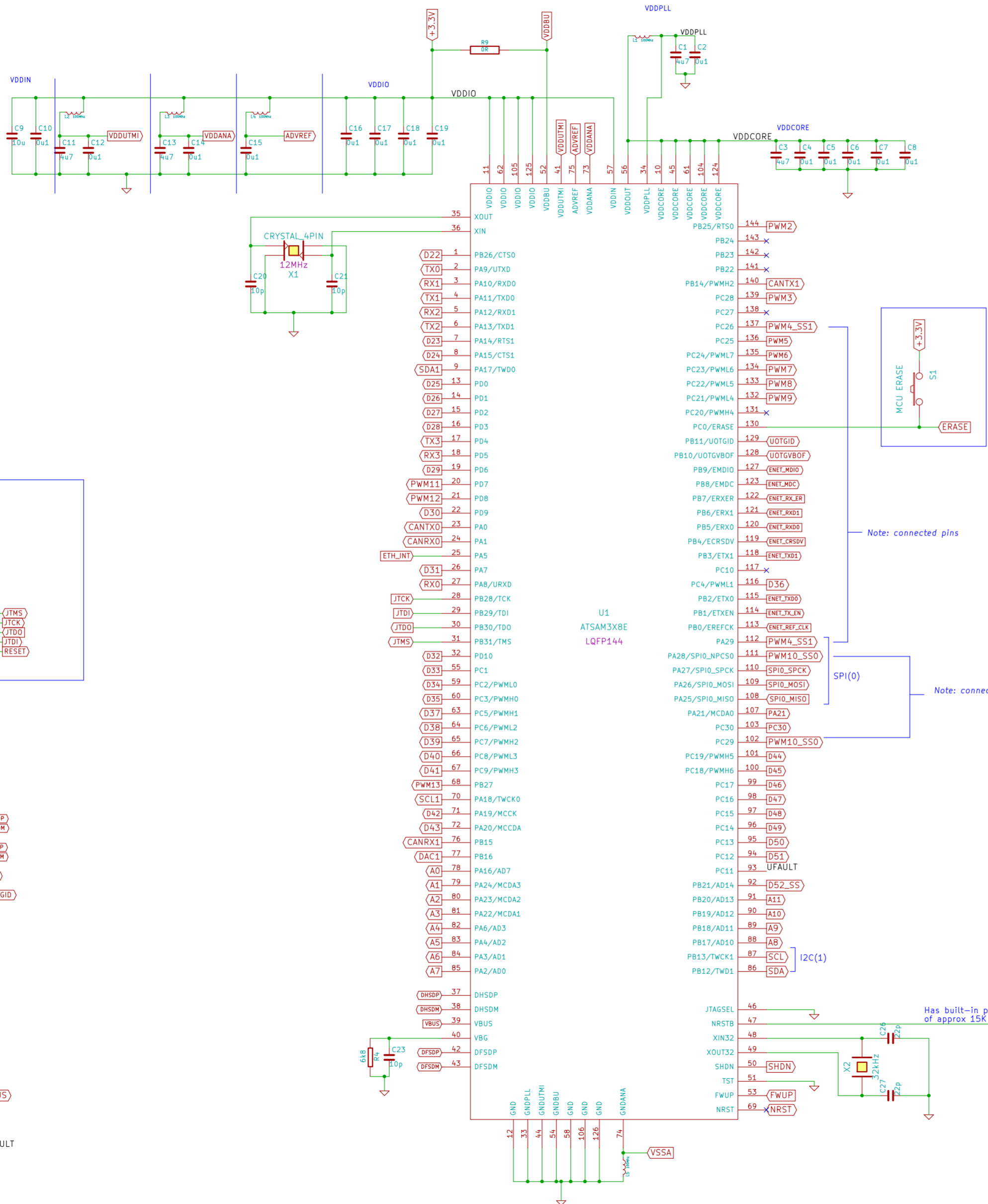
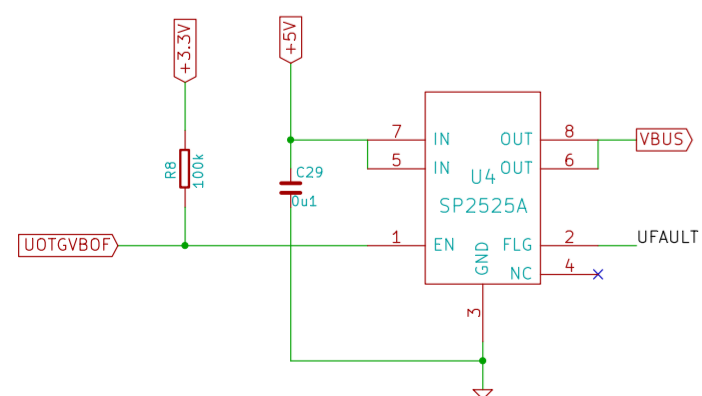
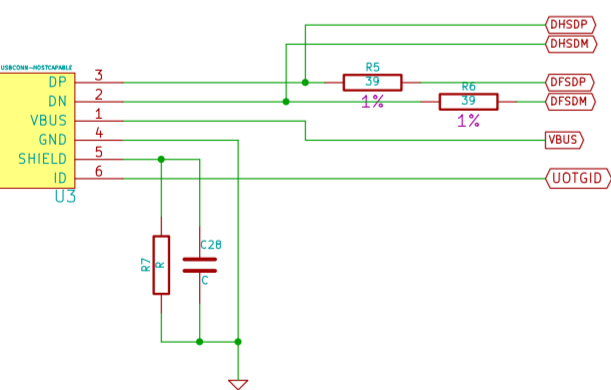
3

4

5

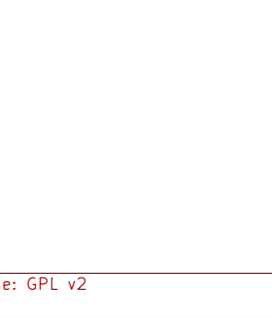
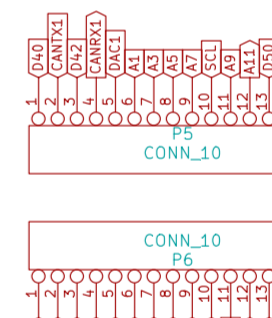
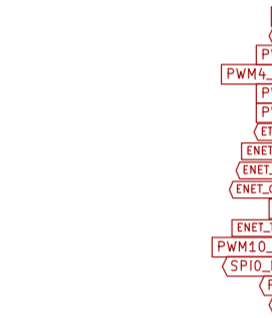
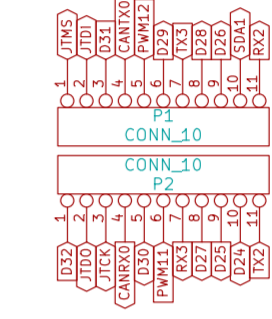
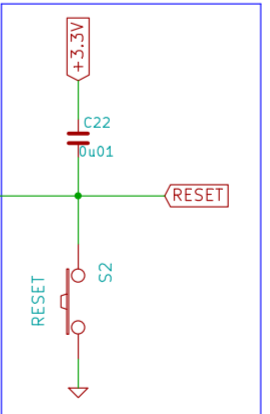


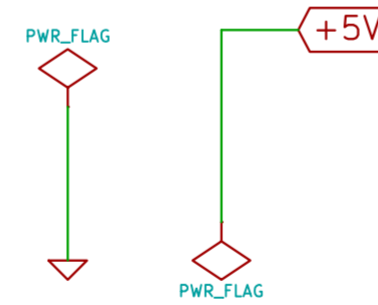
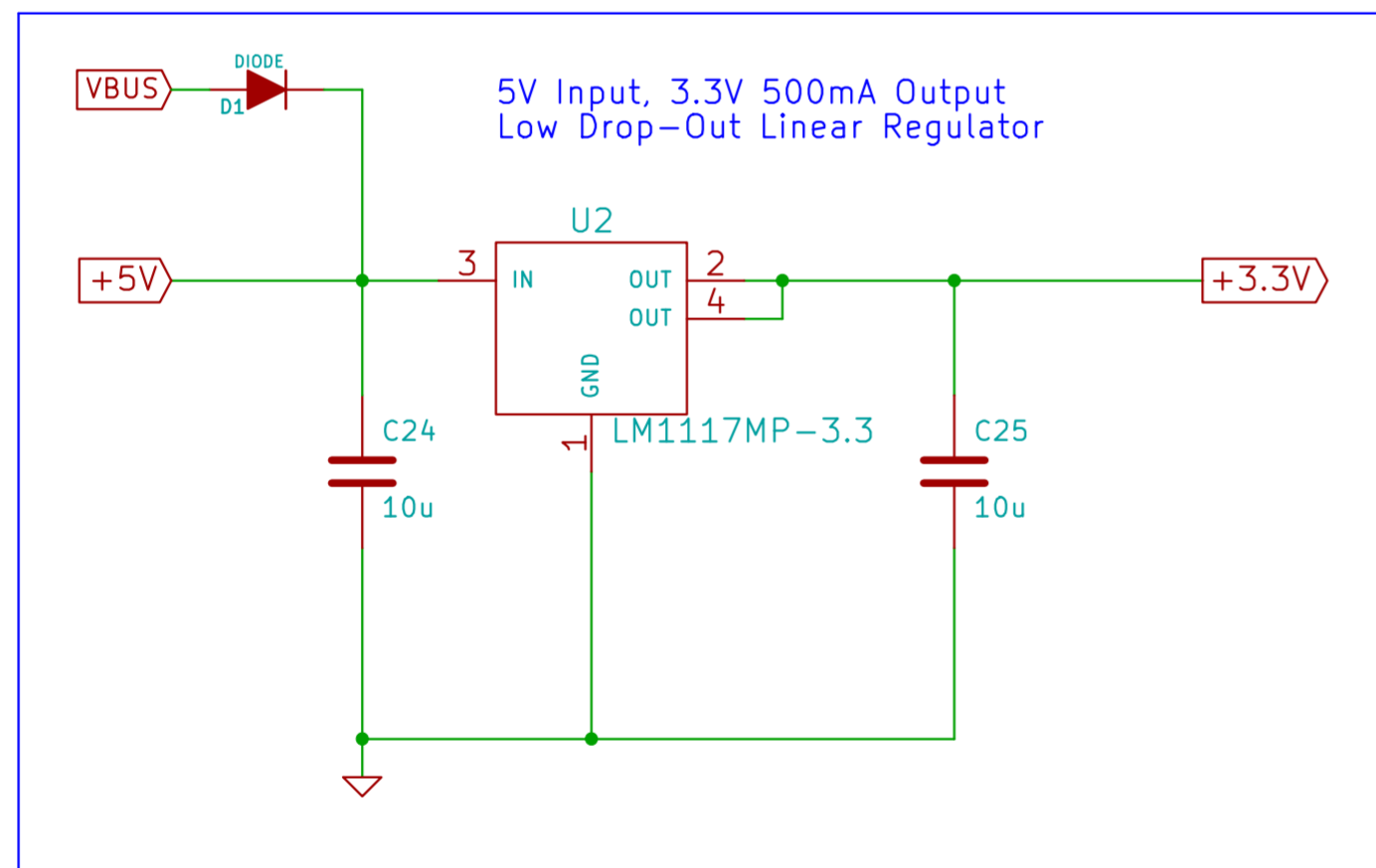
NF: Possible addition



Note: connected pins

Note: connected pins





License: GPL v2		
File: Power.sch		
Sheet: /Power/		
Title: MicroDue		
Size: A4	Date: 30 oct 2014	Rev: 1
KiCad E.D.A. eeschema (2013-07-07 BZR 4022)-stable		Id: 3/3