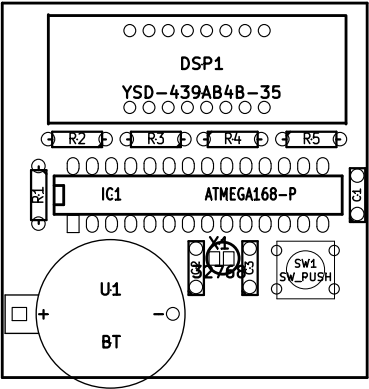


File: micrologio.brd		
Sheet: 1/1		
<b>Title:</b>		
Size: A4	Date: 15 may 2012	<b>Rev:</b>
KiCad E.D.A.	pcbnew (2011-03-30 BZR 2932)-stable	Id: 1/1



File: micrologio.brd		
Sheet: 1/1		
<b>Title:</b>		
Size: A4	Date: 15 may 2012	<b>Rev:</b>
KiCad E.D.A. pcbnew (2011-03-30 BZR 2932)-stable		Id: 1/1