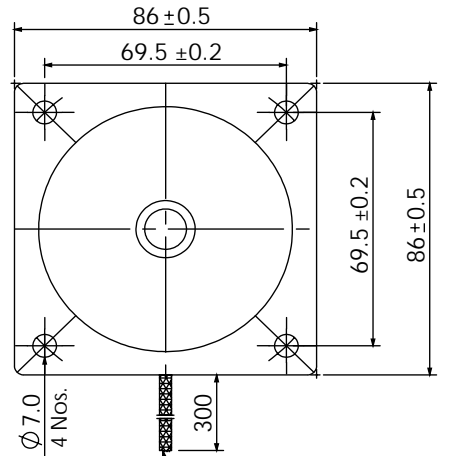
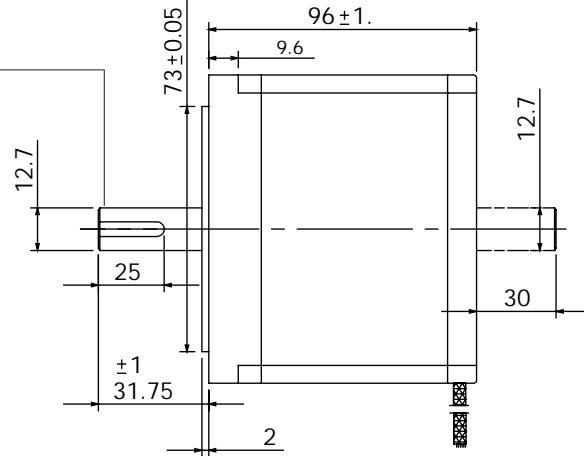
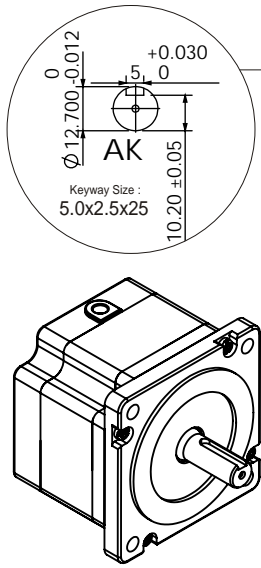


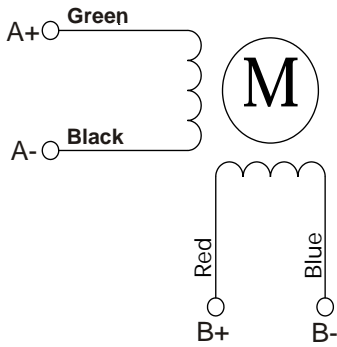
**SPECIFICATION SHEET**  
*Bholanath*

**STEPPER MOTOR**  
**BH86 SH 96 - 4004AK**  
HIGH TORQUE HYBRID



Single Core x 0.80 Sq.mm  
Multistrand PVC Sheathed  
flexible wire.

**TECHNICAL DATA**

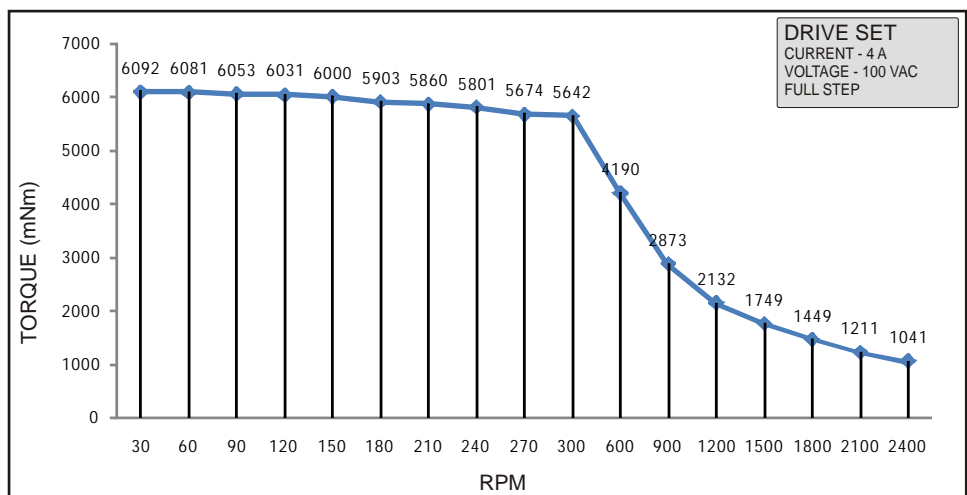


Wiring Diagram

SPECIFICATION		BH86SH96 - 4004 AK	
	MODEL	Bipolar	
1	Rated Voltage	V	3.8
2	Current / Phase	A	4
3	Resistance / Phase	± 10% Ω	0.95
4	Inductance / Phase	± 20% mH	6.8
5	Holding Torque	Nm	6.8
6	Rotor Inertia	G-CM <sup>2</sup>	2700
7	Weight	KG.	3.1
8	No of Lead	N <sup>o</sup>	4
9	Operating Voltage	VDC	24 - 140

**CHARACTERISTICS**

Step Angle - 1.8°
Step Angle Accuracy - ± 5%
Insulation Class - H
Ambient Temperature - - 20°C + 50°C
Temperature Rise - 80°C Max. ( Rated Current Phase 2 ON )
Insulation Resistance 100 M Ohms Min.500 VDC
Dielectric Strength 820 VAC For One Minute
Shaft Radial Play 0.02 Max. Play ( 450 G Load )
Shaft Axial Play 0.08 Max. Play ( 450 G Load )
Max.Radial Force 220 N ( 20MM From Front Flange )
Max.Axial Force 60 N



DRIVE SET  
CURRENT - 4 A  
VOLTAGE - 100 VAC  
FULL STEP

STEPPER MOTOR - BH86SH96-4004AK



**Bholanath Precision Engineering Pvt.Ltd.**

11,Kembros Ind.Estate , Sonapur Lane , Bhandup (W),Mumbai - 400078.  
Telefax/Phone : 25662856/25664338/67993260 Email : support@bholanath.in  
Mobile No : 9920903825/9821671733/9930514603/9819515543/9323166582.