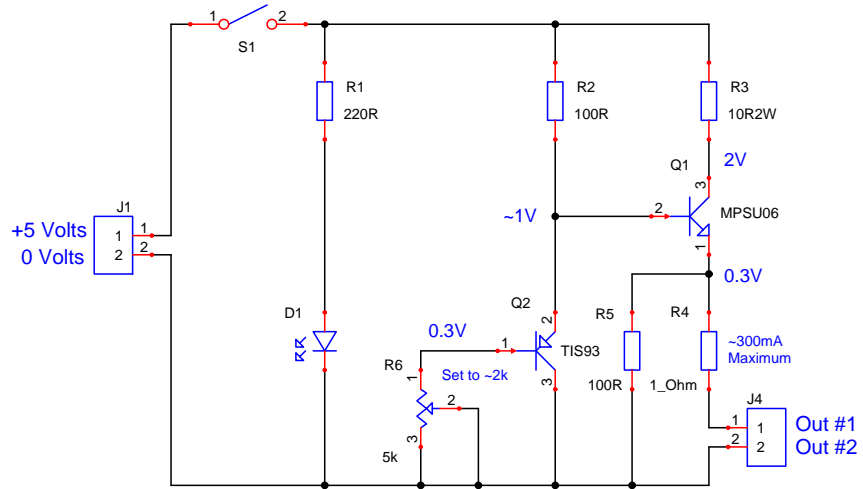
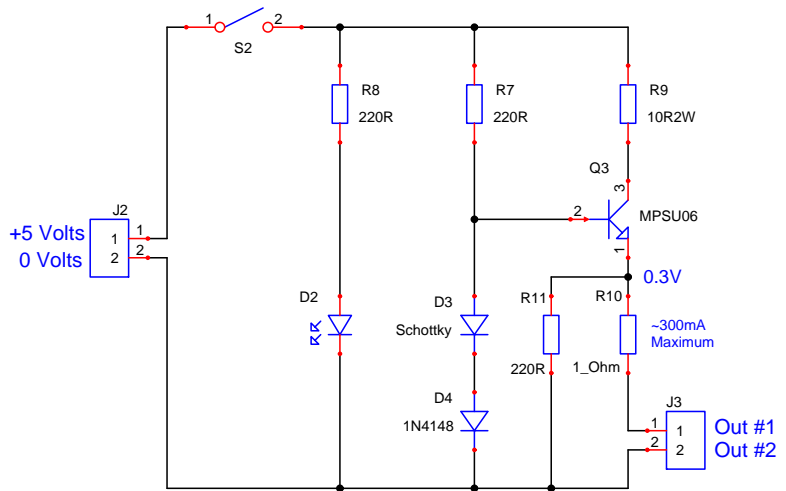


External wires going to terminals are 18 AWG, @ ~20 mohms per meter.

Version #1



Version #2



Power Supply		
Title: Power Supply for PCB Short Circuit Locating		
Project: PowerSupply	File: Root.sch	Page: 1/1
Number: Doc. Number	Date: May. 26, 1995	Rev.: 1.0