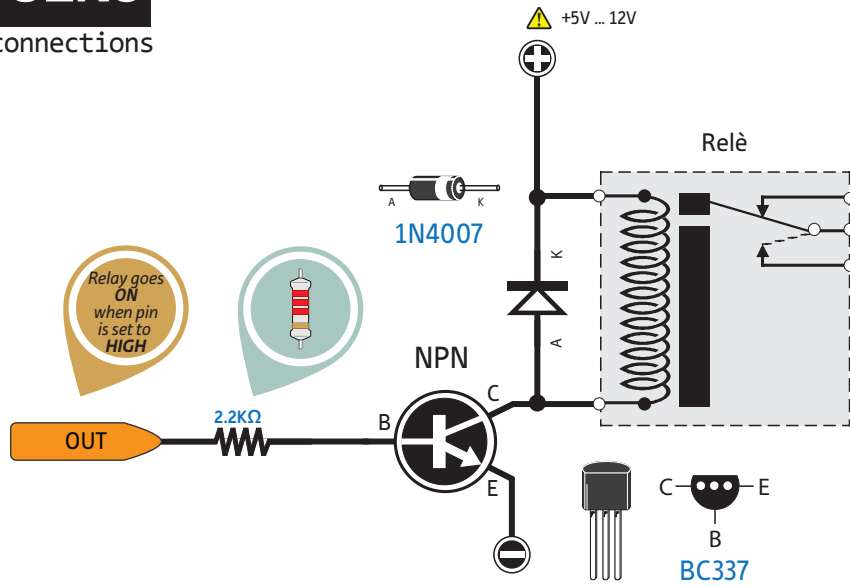
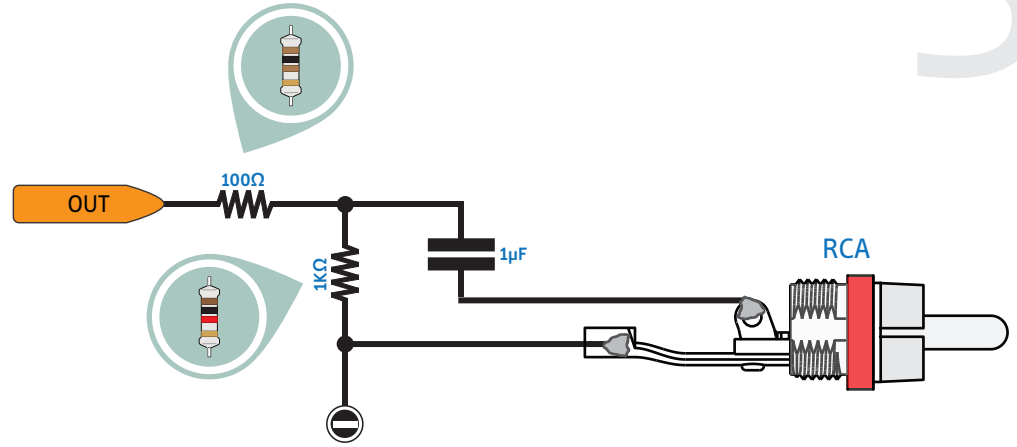


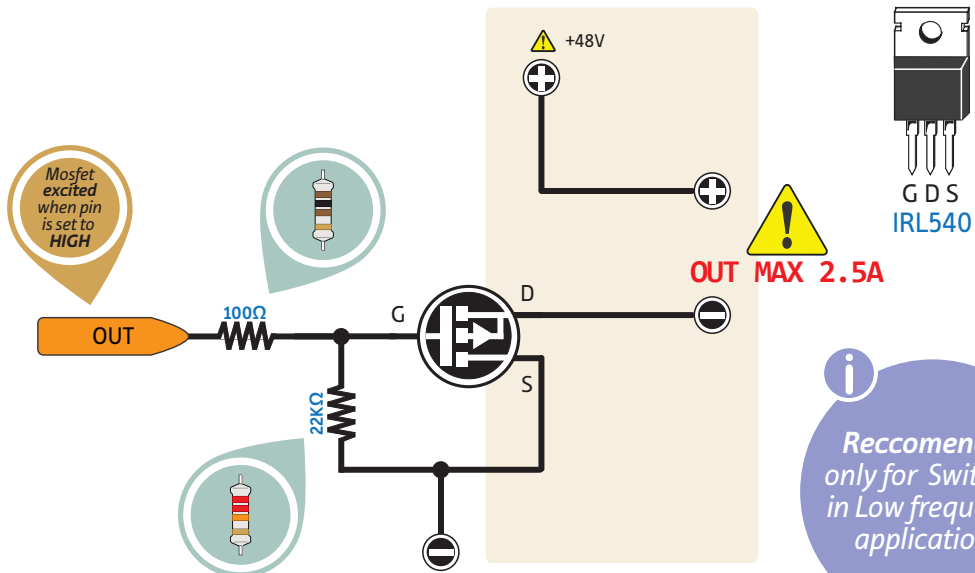
Connect a Relay



Connect an Audio Amplifier



Connect a Mosfet



*Reccomended only for Switch or in Low frequency applications.*

Connect a Buzzer

