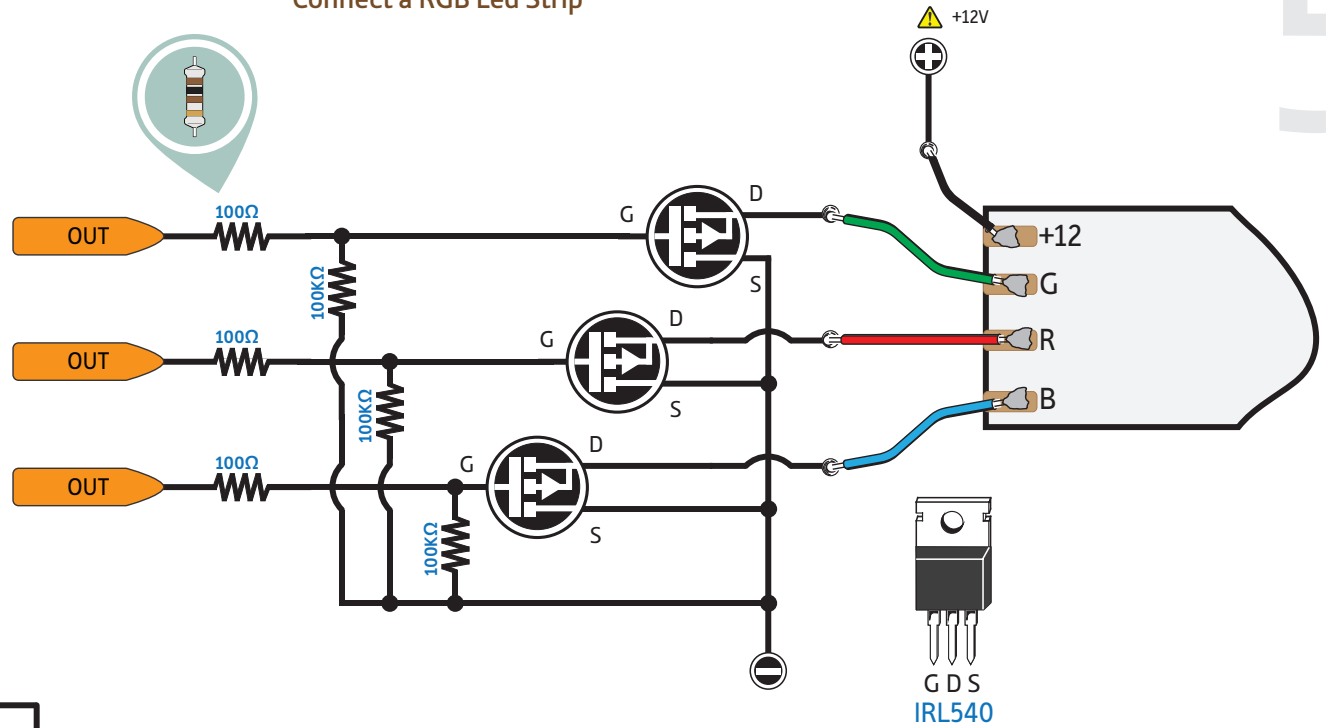
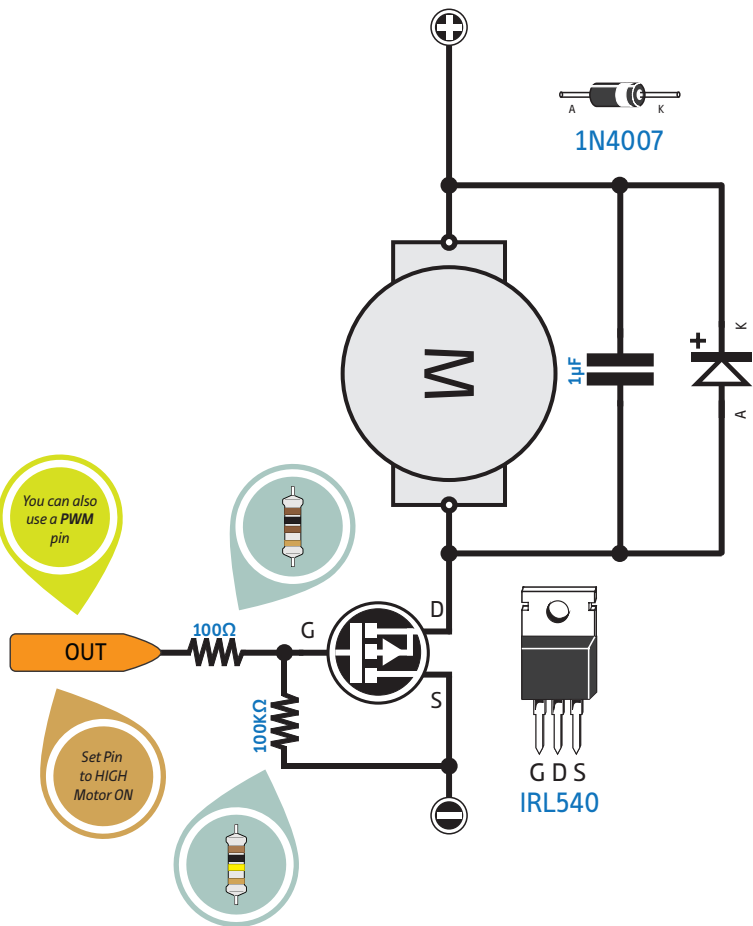


Connect a RGB Led Strip



You can also use a PWM pin

Connect a DC Motor



You can also use a PWM pin

Set Pin to HIGH Motor ON

Connect an Encoder

