

2

1

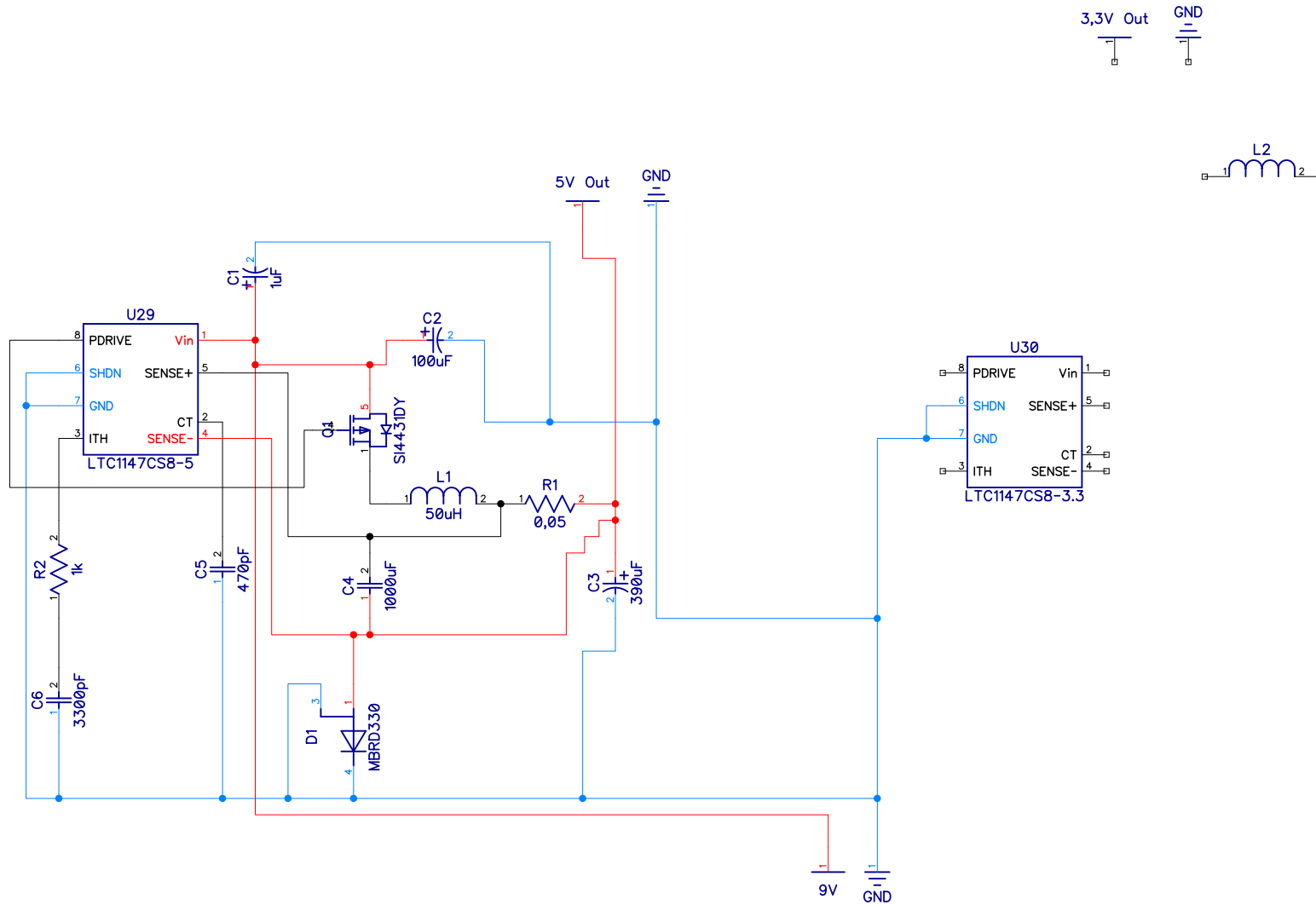
RevNo	Power Supply	30.5.2013	Signature	Checked
-------	--------------	-----------	-----------	---------

B

B

A

A



2

1