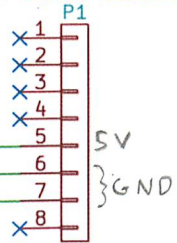
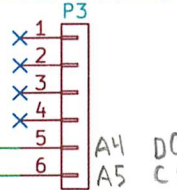


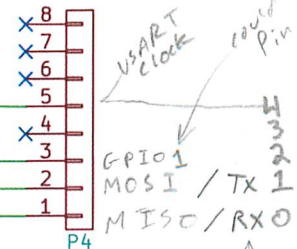
ARDUINO POWER CONNECTOR



ARDUINO ANALOG CONNECTOR

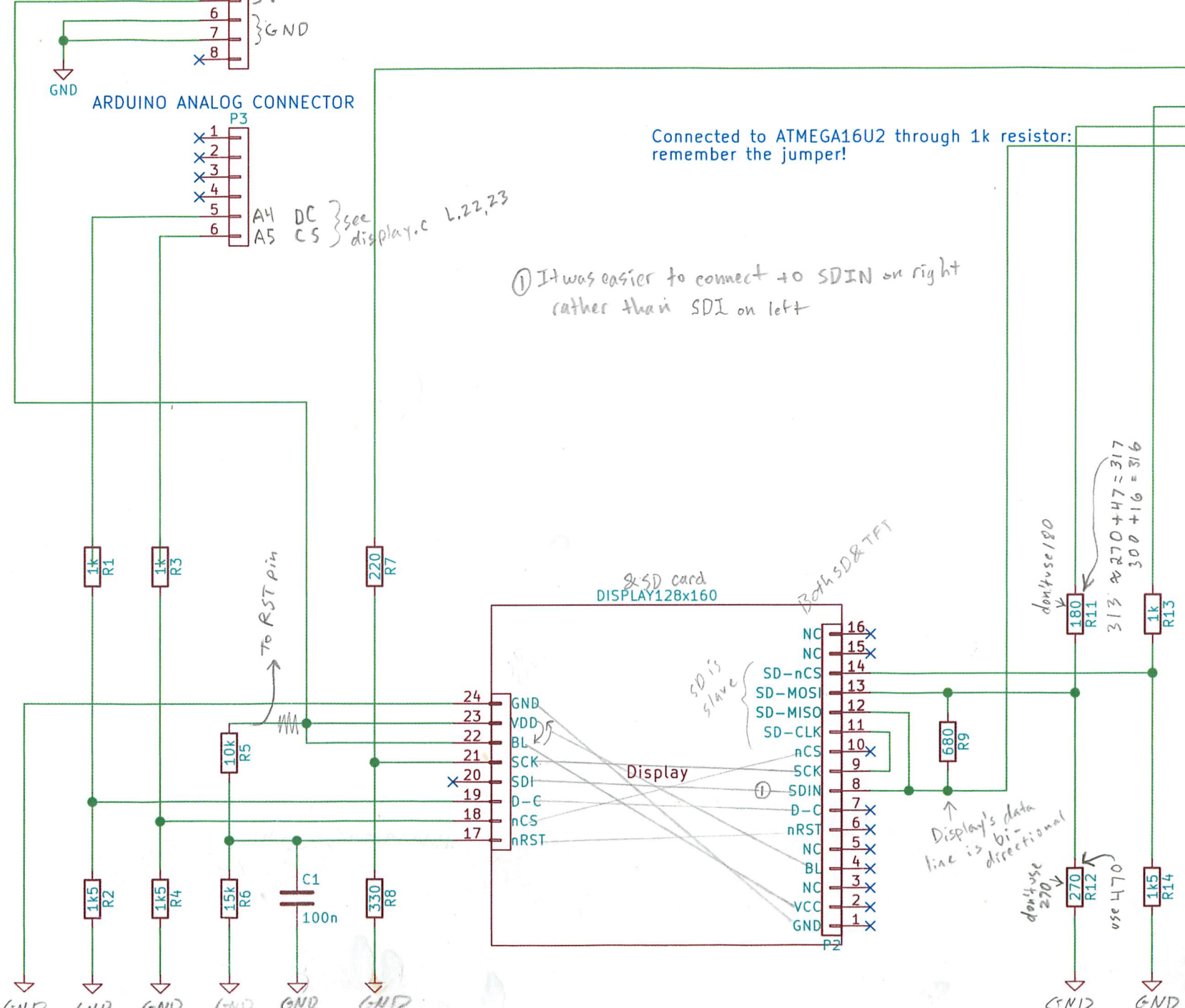


ARDUINO I/O CONNECTOR



Connected to ATMEGA16U2 through 1k resistor: remember the jumper!

① It was easier to connect to SDIN on right rather than SDI on left



SD card DISPLAY128x160

Both SD & TFT

SD is slave

Display

Display's data line is bi-directional

SD card

Problem: RX to ground was only 680+270 that killed F-mount 680+470 works!

current output low

could be any I/O Pin for CS

don't use 180  
313 ~ 270 + 47 = 317  
300 + 16 = 316

don't use 270  
use 470