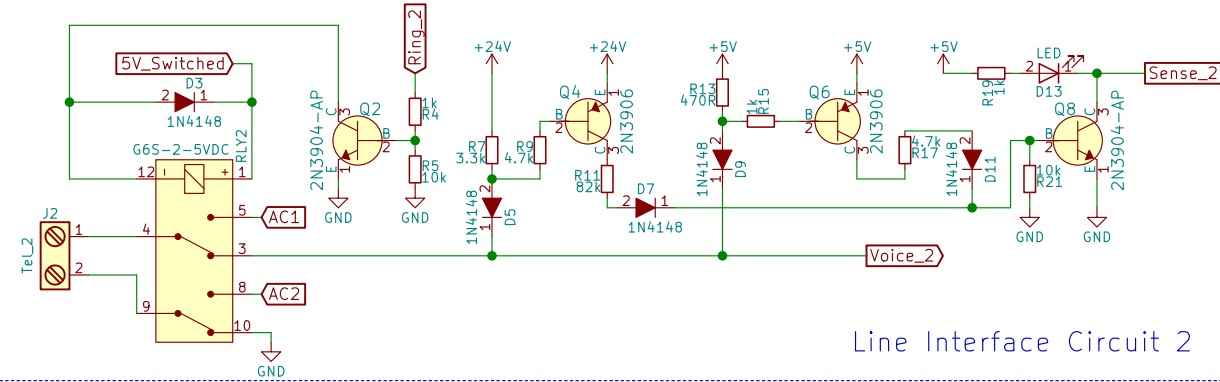
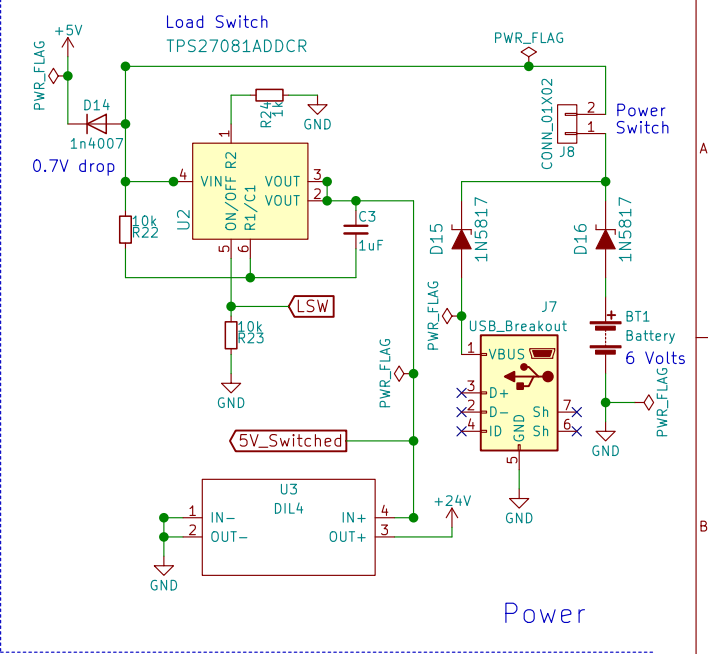


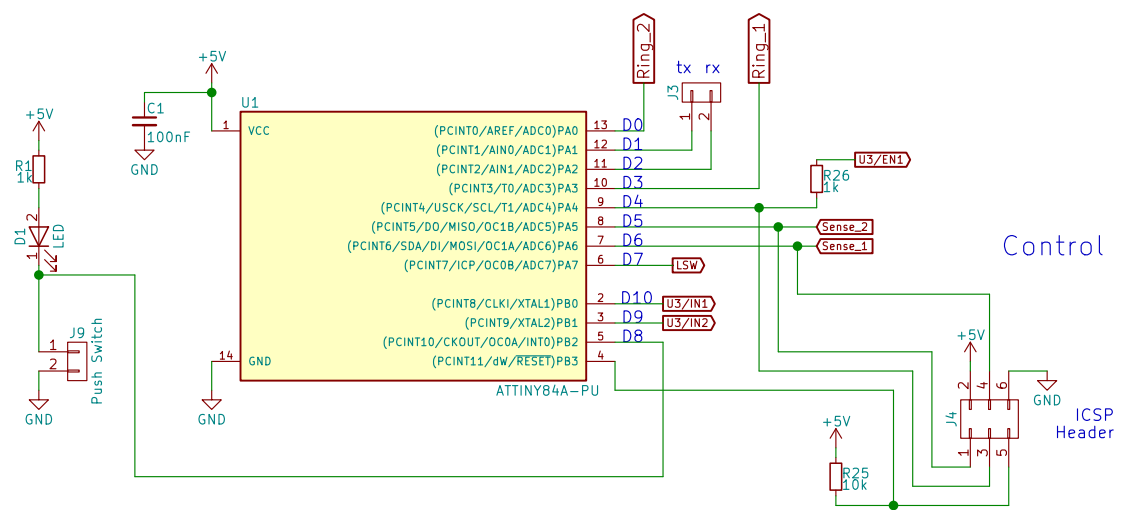
Line Interface Circuit 1



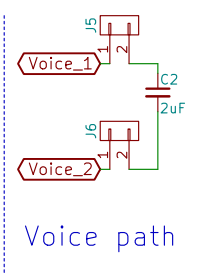
Line Interface Circuit 2



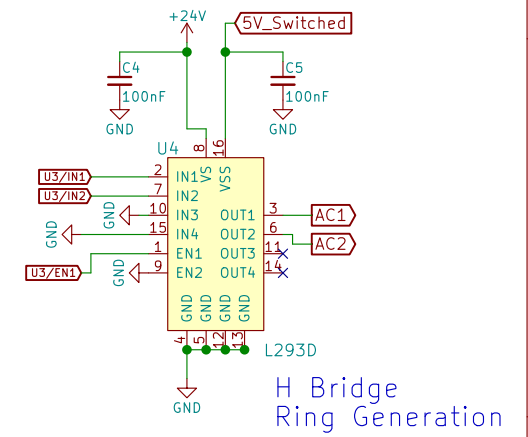
Power



Control



Voice path



H Bridge Ring Generation

6V6GT	
Sheet: /	
File: Telephone_Intercom_v0.03.sch	
Title: Telephone Intercom 2 way	
Size: A4	Date: 2019-08-21
KiCad E.D.A. kicad 4.0.6	Rev: Id: 1/1