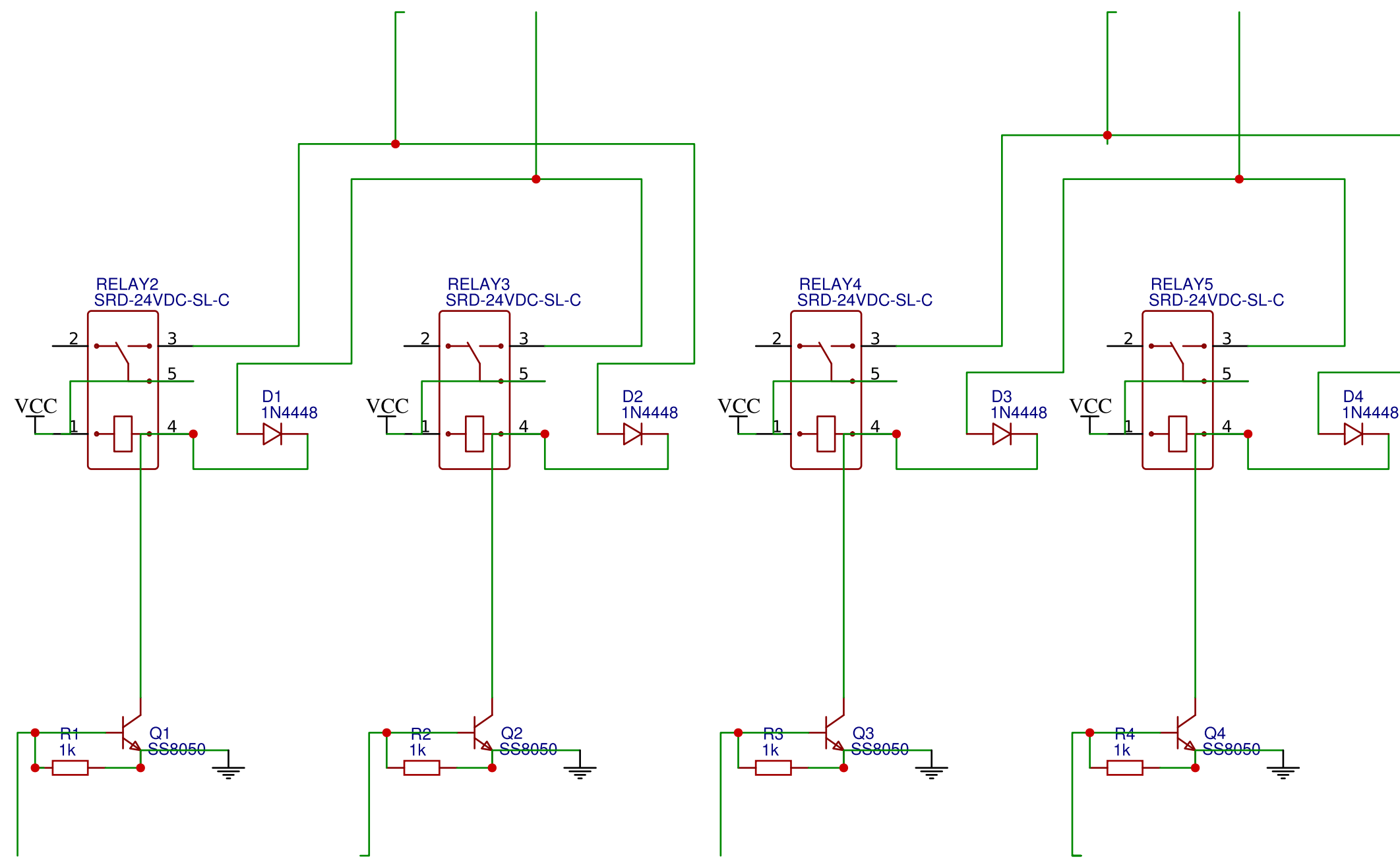


Motor Outputs



Arduino Anschlüsse

TITLE: <b>Motor Driver</b>		REV: 1.0
Date: 2018-12-12	Sheet: 1/1	
EasyEDA V5.8.22	Drawn By: <b>Aaron Konieczny</b>	