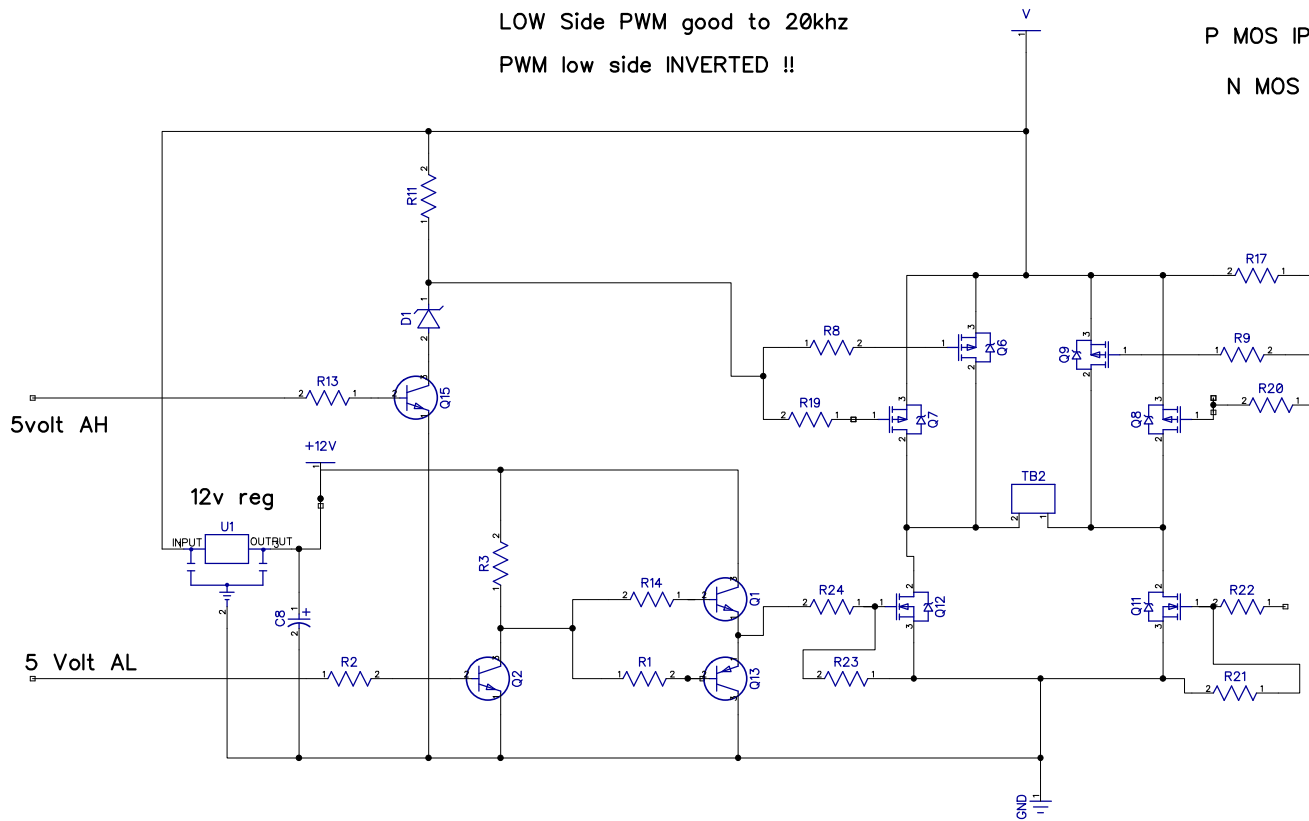


Switching HIGH side will be slow
 LOW Side PWM good to 20khz
 PWM low side INVERTED !!

Voltage range 15 -24

P MOS IPP80P03P4I x 4

N MOS IRLB3034 x 2



Same as left side

Q2, Q15 PN2222A

Q13 = P Channel 2SB772

Q1 = N Channel 2SD882