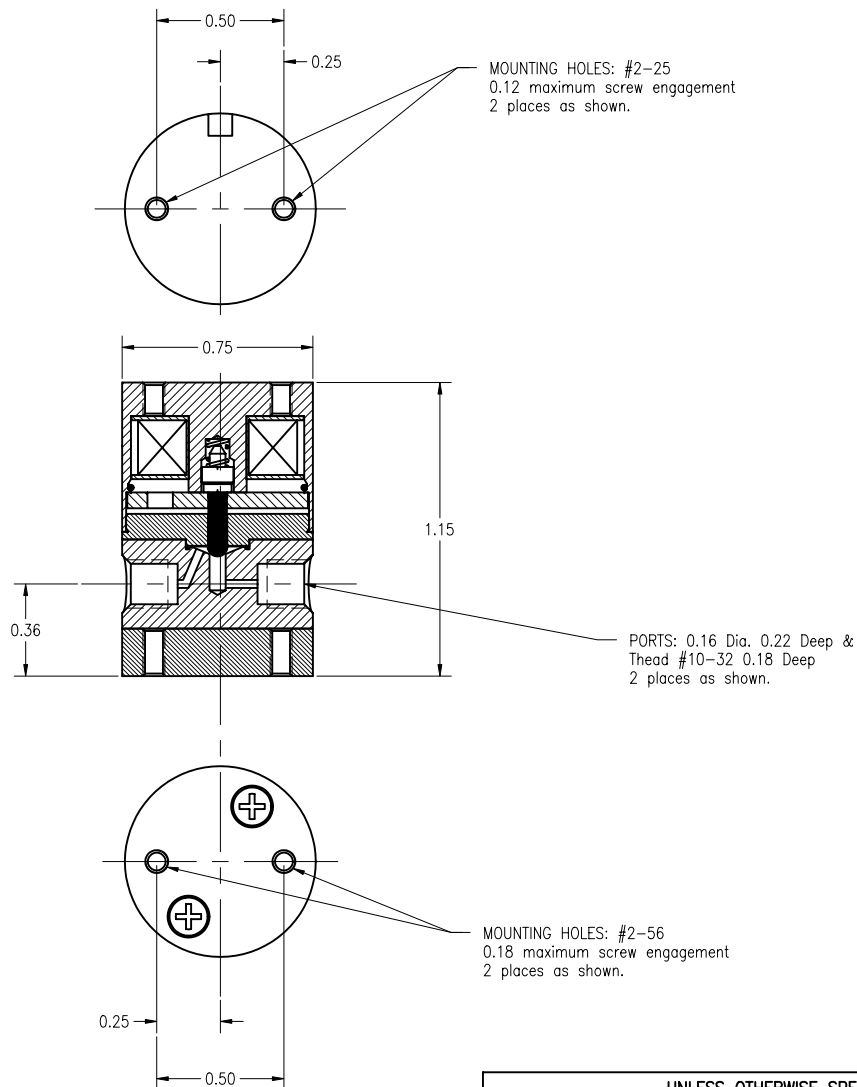


This drawing is NOT to be used for making reproductions thereof, or for making or using any apparatus, equipment, subject matter, or technical information without written authorization of Neptune Research and Development, Inc. All prints are to be returned to Neptune immediately upon completion of work.



SPECIFICATIONS:

Mechanical: (Each Port)

- TYPE: 2w Normally Closed
- PORT CONNECTION: #10-32 Flat bottom.
- NOMINAL ORIFICE: 0.040 In. (1.0 mm)
- OPERATING PRESSURE: Vacuum to 30 PSI (2 Bars)
- TEST PRESSURE: 30 PSI N₂ (No leakage)
- INTERNAL VOLUME: 19.7 microliters total from port to port.
- WETTED MATERIALS: KEL-F
- MOUNTING ORIENTATION: Any Position

Electrical: (At 20° C No Pressure)

- OPERATING VOLTAGE: 12 VDC (Continuous) See Note 1.)
12 to 24 volts subject to duty cycle and / or holding voltage applied.
- POWER CONSUMPTION: 1.15 Watts/12 VDC (approx.)
- LEAD WIRES: #26 AWG, TFE Insulated
Yellow 12 Inches (305mm) long.
- TEST VOLTAGE (ON): < 9 VDC
- TEST VOLTAGE (OFF): 0.5 to 4 VDC
- RESPONSE TIME (ON): 20ms Max. (12 VDC)
5 to 20 ms subject to applied voltage and driving circuits.
- RESPONSE TIME (OFF): 30ms Max. (from 12 VDC)
30 to 5 ms adjustable by driving circuits.

NOTE 1.)

Continuous rating applies to solenoid construction only. Since other materials incorporated in the product may not tolerate temperature variations as well as the solenoid, application of holding voltage is strongly recommended.

NOTICE:

This product is protected by one or more of the following United States Patents: 4,496,133; 4,993,456; 5,143,118; Re. 34,261 5,433,244. Other Patents Pending.

UNLESS OTHERWISE SPECIFIED			Scale	Material
Fractions	± 1/64	Break Sharp Edges	2 : 1 (B)	As noted
2 Pl. Dec.	± 0.005	All Small Fin. Radii	Dr. By A. Sule	Date 07-22-1995
3 Pl. Dec.	± 0.002	All surfaces shall be Concentric,	Checked	Approved
Angular	± 0.06°	Parallel, Flat, Square and True	Part Name	Drawing Number
All Fin. Surf.		to Each Other within 0.001 T.I.R.	.161K011 2wNC 12vdc	.161V271

