

#### 4.7.2. Microphone Interfaces Configuration

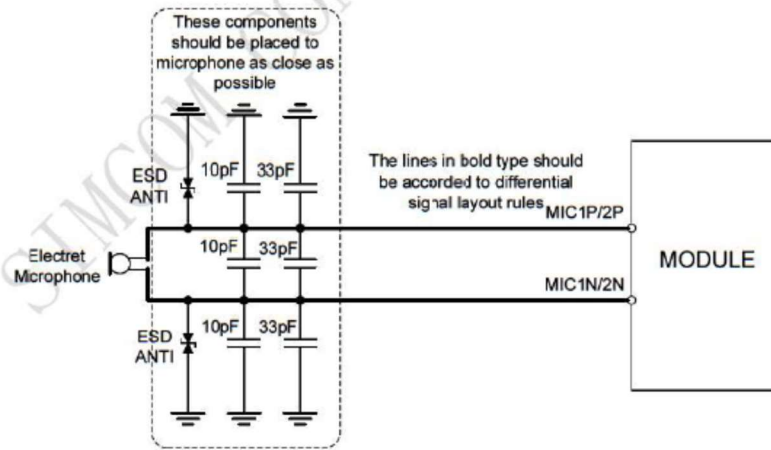


Figure 31: Speaker with amplifier reference circuit

Table 15: Microphone input characteristics

Parameter	Min	Typ	Max	Unit
Microphone biasing voltage		1.9	2.2	V
Working current			2	mA
Input impedance(differential)	13	20	27	K $\Omega$
Idle channel noise			-67	dBm0
SINAD	Input level:-40dBm0	29		dB
	Input level:0dBm0		69	dB