

## Product Category

Home ▾ Product Category ▾ Rotary Components / Actuator ▾ Stepping motors ▾ PM stepping motors ▾ PM stepping motors - Standard type ▾ PM42L-048

Bearings

Precision Machined Components

Electronic Devices and Components

Rotary Components / Actuator

Stepping motors

Hybrid stepping motors

PM stepping motors

Brushless motors

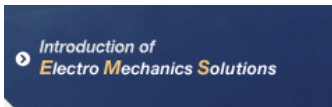
Brush motors

Electromagnetic Clutches and Brakes

Rotation angle sensors (Resolvers)

Air Movers

Measuring Components



## PM42L-048

### Reference Characteristics

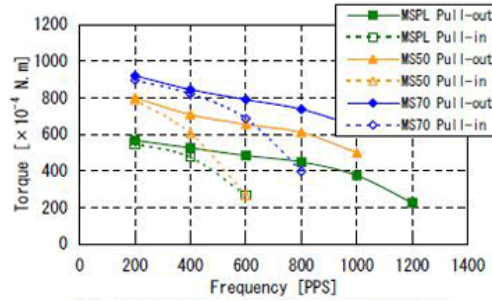
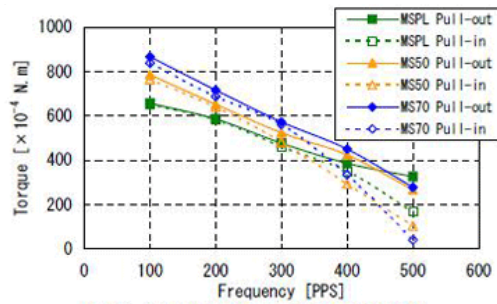
<b>Motor Size</b>	PM42L-048	
<b>Number of Steps per Rotation</b>	48 (7.5deg/Step)	
<b>Drive Method</b>	2-2 PHASE	
<b>Drive Circuit</b>	UNIPOLAR CONST. VOLT.	BIPOLAR CHOPPER
<b>Drive Voltage</b>	24[V]	24[V]
<b>Current/Phase</b>		600[mA]
<b>Coil Resistance/Phase</b>	60[ohms]	7[ohms]
<b>Drive IC</b>	25C3346	UDN2916B-V
<b>Magnet Material</b>	Ferrite plastic magnet(MSPL)	
	Polar anisotropy ferrite sintered magnet(MS50)	
	Nd-Fe-B bonded magnet(MS70)	
<b>Insulation Resistance</b>	100M[ohms]MIN	
<b>Dielectric Strength</b>	AC 500[V]1[min]	
<b>Class of Insulation</b>	CLASS E	
<b>Operating Temp.</b>	-10[deg.C] - 50[deg.C]	
<b>Storage Temp.</b>	-30[deg.C] - 80[deg.C]	
<b>Operating Hum.</b>	20[%]RH - 90[%]RH	



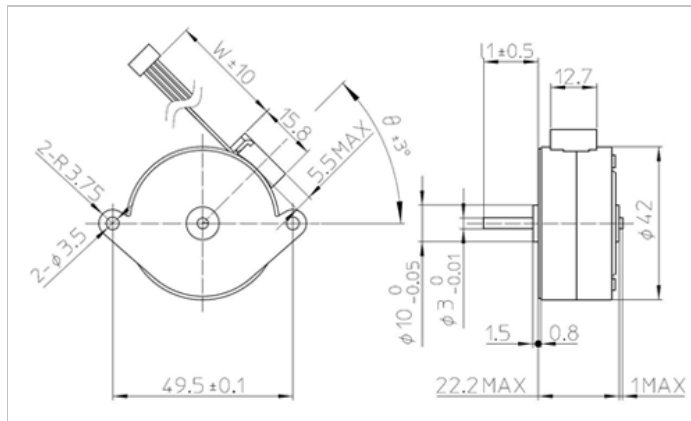
### Applications

OA Equipment :Printers / Scanners  
 Industrial equipment :Flow control valves  
 Toys :Slot machines  
 Home automation appliances:Sewing machines

### Torque Characteristic



**Overall View**



**Associated Data**

[PDF product catalog](#)

[Inquire about this product](#)

[Go back to top of this page](#)

[Disclaimer](#)

[Terms and Conditions](#)

Copyright © MinebeaMitsumi Inc. All rights reserved.